

30mm, GM30ZYT Series Brush DC motor

- General Specification

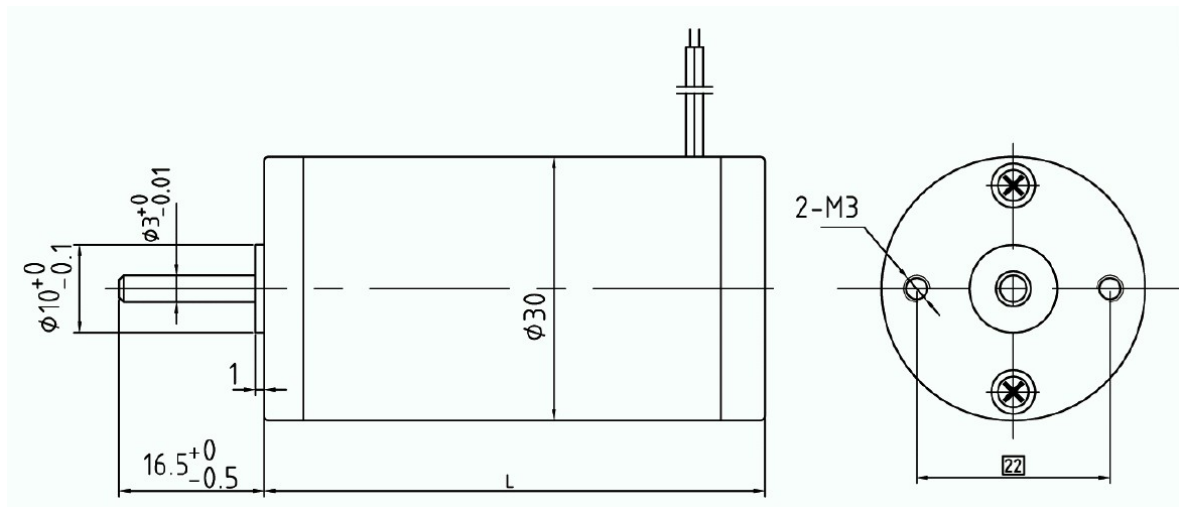
Item	Specifications
Voltage Range	12 & 24v DC (240v also available)
Power Output Range	15 to 20 Watts
Speed Range	up to 10,000 rpm
Operational Temperature	-20°C to +40°C



- Technique Specifications

Part No.	Voltage	Rated Power	Rated Speed	Rated Torque		Rated Current	No Load Speed	Length
				oz-in	mNm			
Units	V	W	rpm	oz-in	mNm	A	rpm	mm
GM30ZYT51-12V	12	8.17	7100	1.6	11	0.79	7900	51
GM30ZYT51-24V	24	8.17	7100	1.6	11	0.41	7900	51
GM30ZYT60-12V	12	15.1	7100	2.3	16	1.45	10000	60
GM30ZYT60-24V	24	15.1	7100	2.3	16	0.73	10000	60

- Dimensions (mm)



- Custom Motor Options

Custom housing to meet your dimensional requirements

Custom shaft options: extended, slotted, cross drilled, hollow shaft etc

Custom winding to meet your specific application needs

Lead wire options: special lengths, heat shrink, Teflon leads, pins, connectors, cable harnesses etc

Bearing & lubricant options for high temperature/humid operations

Encoders, gearboxes, sprockets and pulleys installation