

## 54mm, GM54ZYT Series Brush DC Motors

- General Specification

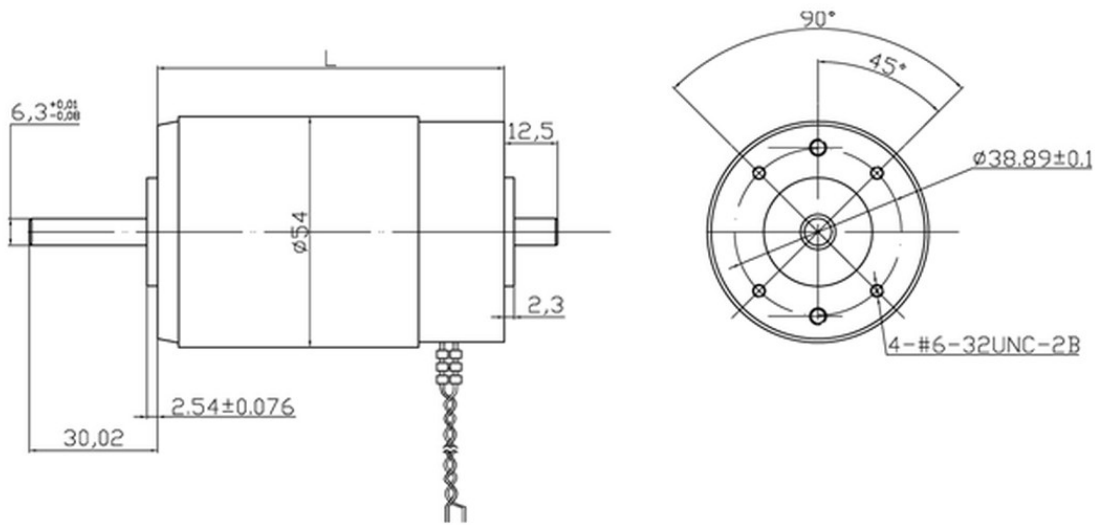
Item	Specifications
Voltage Range	12 & 24v DC (240v also available)
Power Output Range	30 to 100 Watts
Speed Range	up to 10,000 rpm
Operational Temperature	-20°C to +40°C



- Technique Specifications

Part No.	Voltage	Rated Power	Rated Speed	Rated Torque		Rated Current	No Load Speed	Length
				Oz-in	mNm			
Units	V	W	rpm			A	rpm	mm
GM54ZYT75-12V	12	28.2	3800	10.1	71	2.8	4500	75
GM54ZYT94-12V	12	46.5	3000	21.0	148	4.6	3800	94
GM54ZYT103-12V	12	65.5	3400	26.1	184	6.2	4000	103
GM54ZYT75-24V	24	28.2	3800	10.1	71	1.4	4500	75
GM54ZYT94-24V	24	46.5	3000	21.0	148	2.3	3800	94
GM54ZYT103-24V	24	65.5	3400	26.1	184	3.1	4000	103

- Dimensions (mm)



- Custom Motor Options

Custom housing to meet your dimensional requirements

Custom shaft options: extended, slotted, cross drilled, hollow shaft etc

Custom winding to meet your specific application needs

Lead wire options: special lengths, heat shrink, Teflon leads, pins, connectors, cable harnesses etc

Bearing & lubricant options for high temperature/humid operations

Encoders, gearboxes, sprockets and pulleys installation