

73mm, GM73ZYT Series Brush DC Motors

- General Specification

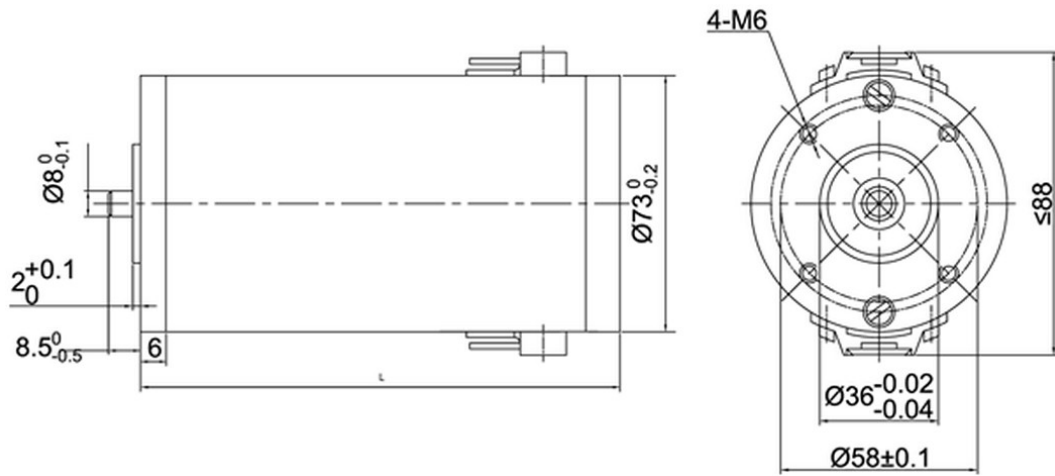
Item	Specifications
Voltage Range	12 & 24v DC (48v also available)
Power Output Range	90 to 150 Watts
Speed Range	up to 9,000 rpm
Operational Temperature	-20°C to +40°C



- Technique Specifications

Part No.	Voltage	Rated Power	Rated Speed	Rated Torque		Rated Current	No Load Speed	Length
				Oz-in	mNm			
Units	V	W	rpm			A	rpm	mm
GM73ZYT127-12V	12	90	4400	28.3	200	11.00	4900	127
GM73ZYT145-12V	12	120	3700	42.5	300	15.00	4200	145
GM73ZYT155-12V	12	135	3200	56.7	400	16.50	3600	155
GM73ZYT165-12V	12	150	3000	70.8	500	18.00	3400	162
GM73ZYT127-24V	24	100	4700	28.3	200	5.50	5200	127
GM73ZYT145-24V	24	130	3900	42.5	300	7.50	4500	145
GM73ZYT155-24V	24	145	3400	56.7	400	8.50	3900	155
GM73ZYT165-24V	24	170	3200	70.8	500	9.00	3600	165

- Dimensions (mm)



- Custom Motor Options

Custom housing to meet your dimensional requirements

Custom shaft options: extended, slotted, cross drilled, hollow shaft etc

Custom winding to meet your specific application needs

Lead wire options: special lengths, heat shrink, Teflon leads, pins, connectors, cable harnesses etc

Bearing & lubricant options for high temperature/humid operations

Encoders, gearboxes, sprockets and pulleys installation