

80mm, GM80ZYT Series Brush DC motor

- General Specification

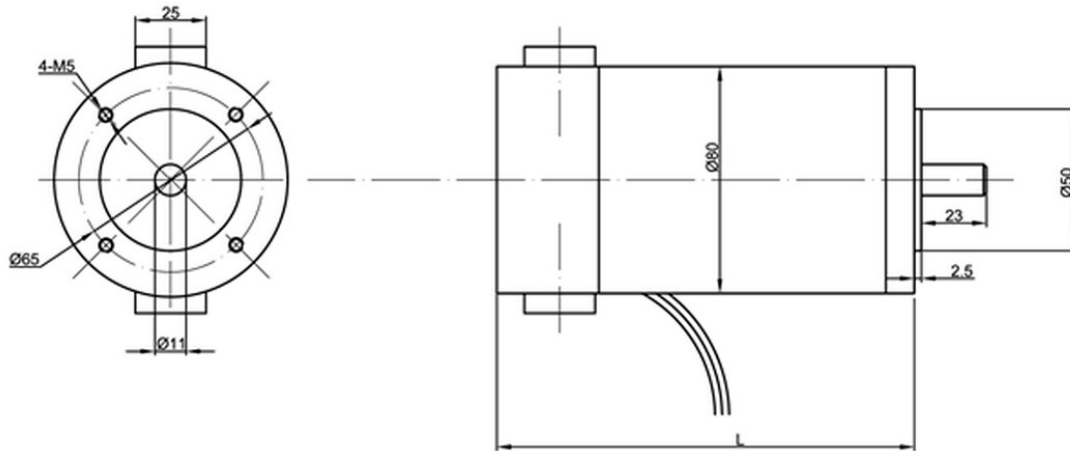
| Item | Specifications |
|-------------------------|----------------------------------|
| Voltage Range | 12 & 24v DC (48v also available) |
| Power Output Range | 90 to 150 Watts |
| Speed Range | up to 9,000 rpm |
| Operational Temperature | -20°C to +40°C |



- Technique Specifications

| Part No. | Voltage | Rated Power | Rated Speed | Rated Torque | | Rated Current | No Load Speed | Length |
|----------------|---------|-------------|-------------|--------------|-----|---------------|---------------|--------|
| | | | | Oz-in | mNm | | | |
| Units | V | W | rpm | | | A | rpm | mm |
| GM80ZYT135-12V | 12 | 106 | 2900 | 49.6 | 350 | 11.5 | 3200 | 135 |
| GM80ZYT135-24V | 24 | 106 | 2900 | 49.6 | 350 | 5.8 | 3200 | 135 |
| GM80ZYT135-40V | 40 | 128 | 3500 | 49.6 | 350 | 4 | 3750 | 135 |
| GM80ZYT175-12V | 12 | 207 | 3200 | 87.8 | 620 | 10 | 3500 | 175 |
| GM80ZYT175-24V | 24 | 201 | 3100 | 87.8 | 620 | 6 | 3500 | 175 |
| GM80ZYT175-40V | 40 | 221 | 3350 | 89.2 | 630 | 4.2 | 3650 | 175 |

- Dimensions (mm)



- Custom Motor Options

Custom housing to meet your dimensional requirements

Custom shaft options: extended, slotted, cross drilled, hollow shaft etc

Custom winding to meet your specific application needs

Lead wire options: special lengths, heat shrink, Teflon leads, pins, connectors, cable harnesses etc

Bearing & lubricant options for high temperature/humid operations

Encoders, gearboxes, sprockets and pulleys installation